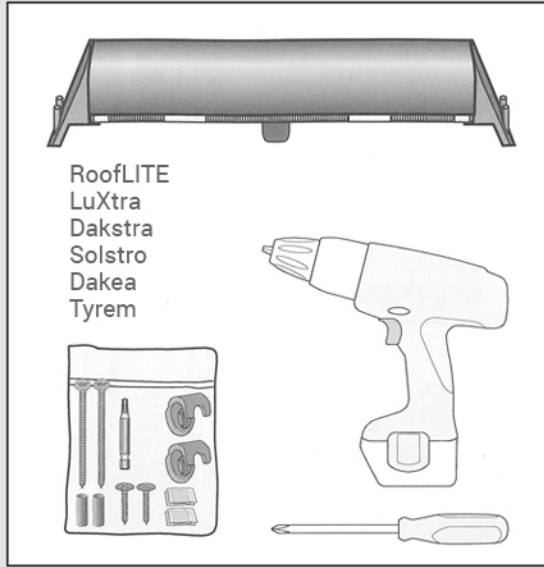


MIR



RoofLITE, LuXtra, Dakstra, Dakea, Tyrem and Solstro are registered trademarks ©

LuXtra.eu
info@luxtra.nl
Agriport 139
1775 TA Middenmeer

